

# CUSTOM DOOR & MIRROR INC.

[www.customdoorandmirror.com](http://www.customdoorandmirror.com)



CDM has been  
manufacturing bifold  
doors for the construction  
and renovation trades  
since 1957.





# The Original Paniflex™ Door

Bifold and Slider door systems made to fit your opening

3/4" and 1" MDF primed or prefinished and edge banded for durability

Patented **TruClose™** hinge system. Concealed cam for virtually silent operation. Fewer moving parts

Wall to Wall and Floor to Ceiling applications

2 to 8+ panel units available in chrome, white, or matching track and trim



We are the manufacturer of the original Paniflex™ door system that revolutionized today's bifold door industry. We made it less costly and more time efficient by making the door to fit the opening and not the other way around. Our system also requires significantly less components than any of our competitors. This creates a superior door; one that is easier to install, smoother to operate, and lasts longer.

Property Managers and Installers prefer CDM over the competitors for the simplicity of our patented hinge system. It eliminates the need for all the additional springs and other hardware required by dated and inefficient piano-hinged systems.

Our quality and reliability has been proven in over a million successful installations.

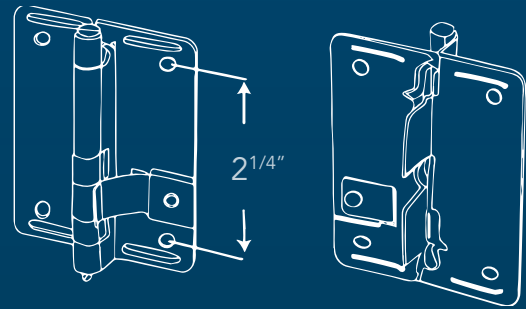
We manufacture our flush 3/4" or heavier-duty 1" MDF panels to any size, eliminating the need for costly buildouts. All doors are edge banded and are available in a variety of finishes: primed, prefinished, unfinished real wood veneers and even routed panels.

If you specify, supply, install, maintain or bid on bifold or sliding doors for commercial or residential applications, please give us a call.

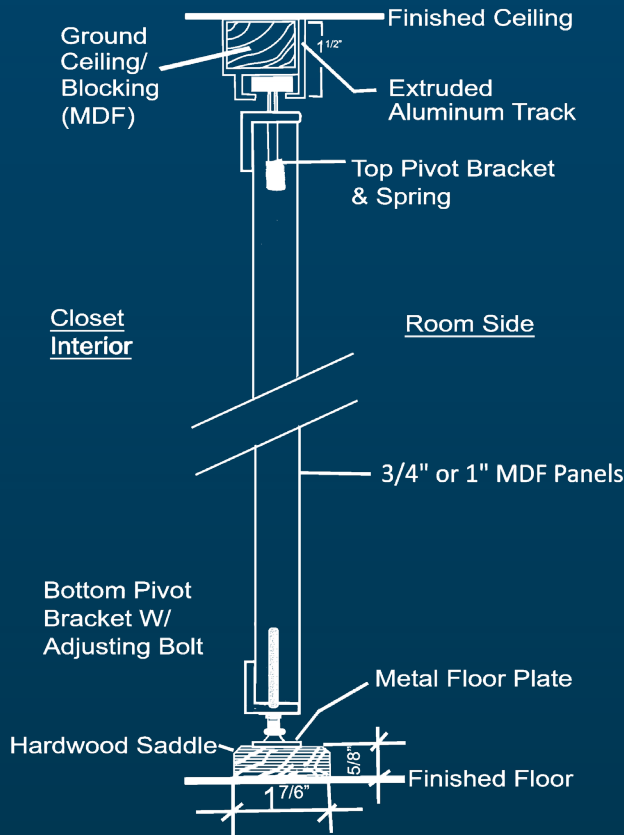
# Specifications



## CAM ACTIVATED HINGE

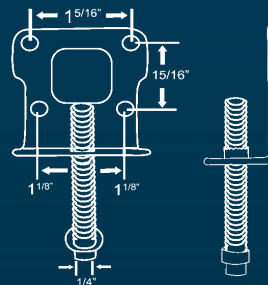


**Patented TruClose™ Hinge** cam tab and oblong hinge barrel shape create a self-closing effect. This helps the door close smoothly and once closed, keeps it there. This system replaced the piano hinge we used back in the 1950's and 60's.



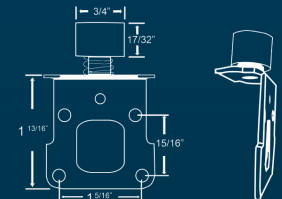
**Side Elevation.** The panels are available primed or pre-finished MDF, not particleboard. Installations can be done with or without the hardwood saddle, and door panel heights and reveals are calculated accordingly. Our doors are much simpler to install than our competitors and eliminates extra components like door stops, springs notched into panels, vinyl bumpers, snubbers and magnetic catches.

## BOTTOM ADJUSTABLE PIVOT BRACKET

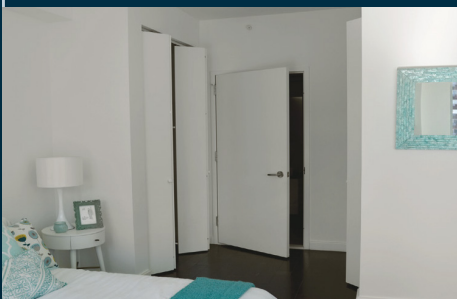


**Bottom Pivot** allows the Paniflex™ system to be adjustable for openings that are not square by a 1/2 inch taller or shorter.

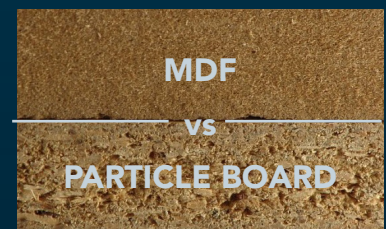
## TOP GUIDE ROLLER



**Top Pivot Bracket** speaks to the design simplicity of the Paniflex™ door system. Fewer moving parts for much smoother and quieter operation.



**Our patented TruClose™ hardware carries a lifetime warranty**





# Our other products

## Solid Mirror Doors

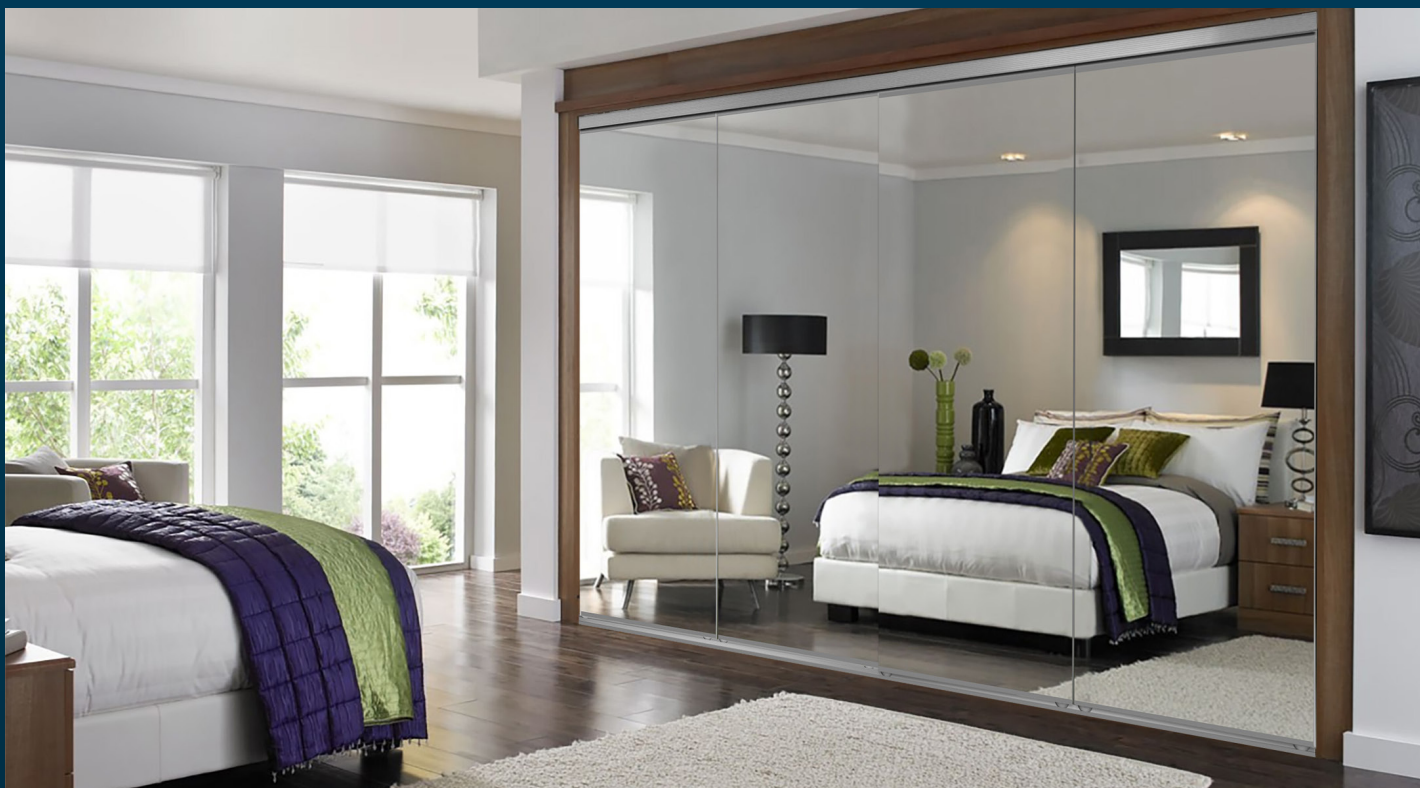
Our premier Bifold product is backed by solid 3/4" thick MDF, and our Sliders are backed by 1/2" PlyCor and are the most impact-resistant mirror door on the market. Available in Beveled or Polished Mirror and White or Chrome Track.

## Framed Mirror Doors

Our framed collection provides added elegance for the customer who prefers a sliding door with a framed mirror.

## Mir-Mel™ Doors

Designed for and used in the hotel and hospitality industry. Combines solid core panels with mirrors for strong and reliable performance.



### Contact us:

Custom Door and Mirror  
148-150 Milbar Blvd Farmingdale, NY 11735  
631.414.7725 Main 631.414.7729 Fax

### Direct Inquiry:

Doug Meyer | Sales  
Doug@Paniflex.com  
631.793.4702 Mobile

[www.customdoorandmirror.com](http://www.customdoorandmirror.com)

